

# SPECIFICATIONS

## [General Specifications]

Product Name	Audible Alarm		
Model	BM-202	BM-210	BM-220
Rated Voltage	24V AC/DC	100V AC	220V AC
Operating Voltage Range	Rated Voltage $\pm 10\%$		
Rated Power Consumption	0.4W	2.5W	3.5W
Operating Ambient Temperature	-10°C to +60°C		
Operating Ambient Humidity	Less than 85% (No condensation)		
Mounting Location	Indoor use only		
Mounting Direction	Upright only		
Protection Rating	IP30 (IEC 60529)		
Vibration Resistance	19.6m/s <sup>2</sup> (IEC 60068-2-6 30Hz Fixed frequency)		
Insulation Resistance	More than 1M $\Omega$ at 500VDC between live part and non-current carrying metallic part		
Sound Pressure Level	80dB (at 1 m)	85dB (at 1 m)	
Sound	CH1 : Rapid(Hi-Lo) CH2 : Stutter (Rapid intermittene horn)		
CH Priority	1ch > 2ch		
Transducer	Piezo electric speaker		
Withstand Voltage	Between the power wire and the mounting ring.		
	AC 500V 1 minute	AC 1500V 1 minute	
Continuous Operating Time	500 h		
Mounting Board Tickness	7 mm or less		
Mounting Hole Dimension	$\phi 30.5\text{mm}$		
Mass(Tolerance $\pm 10\%$ )	100 g		
Conformity Standards	EMC Directive (EN 55011, EN 61000-6-2) RoHS Directive (EN IEC 63000)		
Remarks	Conforms to the CE Requirements Conforms to the UKCA Requirements	There are no contents of controlled substances exceeding the threshold for the RoHS Directive.	
Wiring	<p style="text-align: center;">Fuse : 1A</p> <div style="border: 1px solid black; padding: 5px; margin-top: 10px;"> <p>※ BM202 is AC/DC type. Therefore, power supply's polarity isn't mentioned.</p> </div>		

1

2

3

4

5

6

7

8

指定 外公差 General Tolerance	角度公差 ±[°]			寸法公差 ±[mm]					図番 Drawing No.		ページ Page		
	短辺 長さ Length of short side	~	~100	6	30	120	300	1000	BM-202-W18		2/2		
	精 f	10	50	100	精 f	0.05	0.1	0.2	0.4	0.6	改訂 Rev.	年月日 Date	改訂履歴 Revisions
	中 m	1	0.5	0.3	0.1	中 m	0.1	0.3	0.5	0.7	1		
粗 v	3	1.5	1	0.5	粗 c	0.3	0.5	1	1.2	2			

A

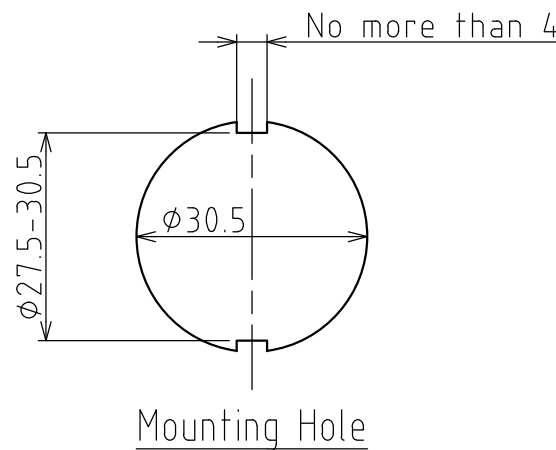
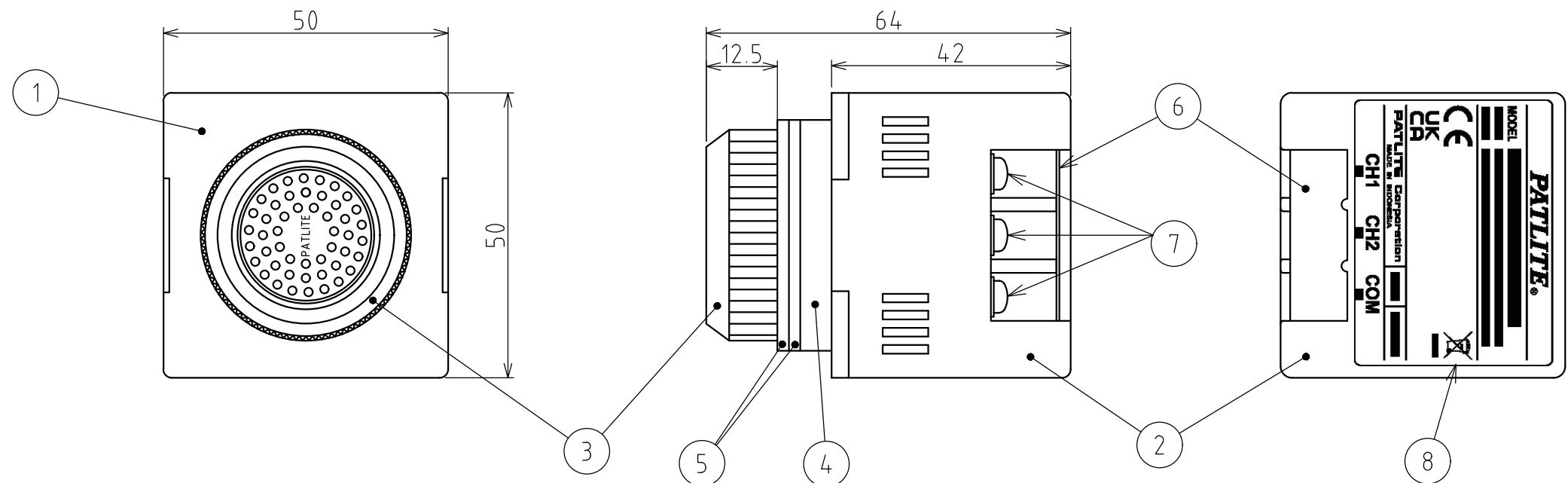
B

C

D

E

F



8	Nameplate	1	
7	Terminal Screw	3	NBR t2.0 MBNi
6	Terminal Cover	1	PC(Black)
5	Rubber Packing B	2	NBR t2.0
4	Rubber Packing A	1	NBR t3.5
3	Ring	1	ABS
2	Body B	1	ABS(Black)
1	Body A	1	ABS(Black)
番号 No.	部品名 Part Name	数量 Qty.	記事 Remarks

機種 Model	BM-202,210,220	特注No. S.P.No.	-	図名 Name	Outer Dimensions Drawing		
品目コード Part No.	-	尺度 Scale	-	三角法 3rd Angle P.	単位 Unit	m	株式会社 PATLITE Corporation

1

2

3

4

5

6

7

8

Ver.2.2 A3