

<h1>SPECIFICATIONS</h1>

[General Specifications]

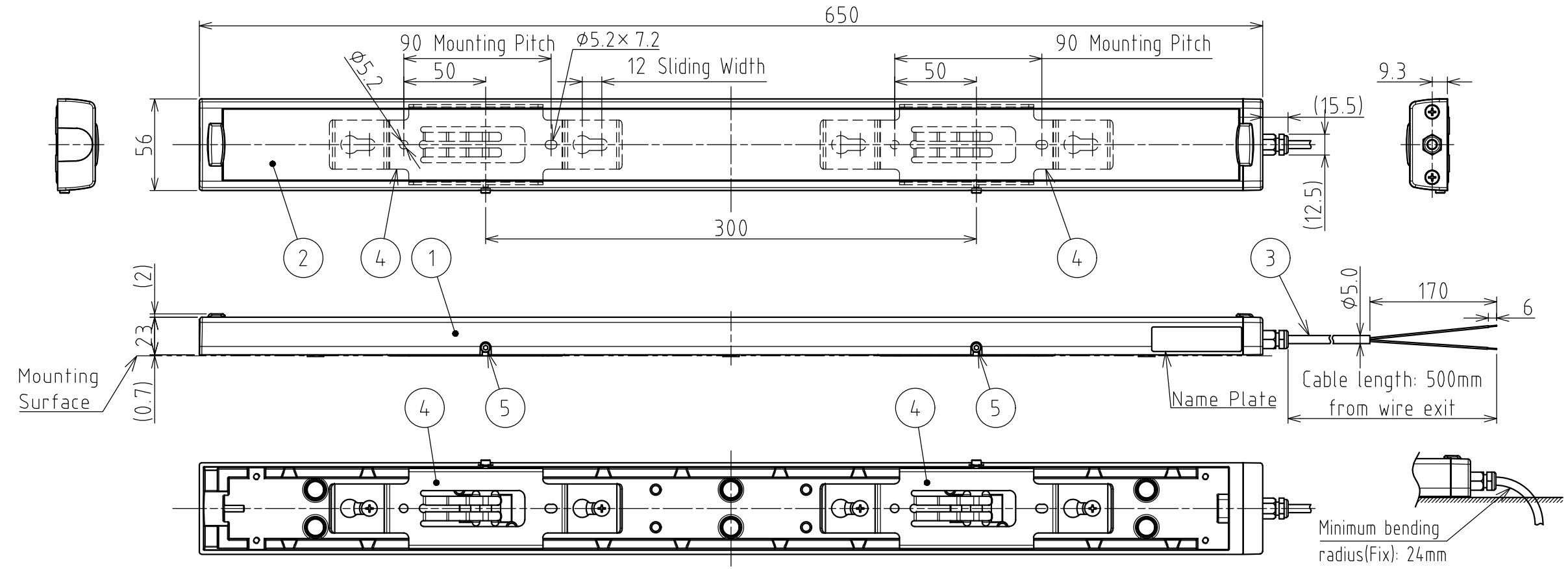
Product Name	LED Work Light	
Model	CLK6S-24AAG-CD	
Luminous Color	Daylight (CD)	
Color Temperature (typ.)	6500 K	
Illuminance (typ.) (Center, at 24V DC)	1.0m	2100 lx
	2.0m	580 lx
Total Luminous Flux (typ.)	2600 lm	
Rated Voltage	24V DC (Polarized)	
Operating Voltage Range	24V DC $\pm 10\%$	
Rated Current Consumption	1044 mA $\pm 10\%$	
Rated Power Consumption	25 W	
Operating Ambient Temperature	-40°C to +60°C	
Operating Ambient Humidity	Less than 90% (No condensation)	
Main Unit Material	Body : Aluminum Alloy , Lens : Tempered Glass	
Mounting Location	Indoor	
Mounting Direction	All Directions	
Protection Rating	IP66G/67G (JIS C0920) / 69K (DIN 40050 part9)	
Environmental Condition	Except Cable Terminal	
Vibration Resistance	19.6 m/s ² (JIS C 0911-1984)	
Insulation Resistance	More than 5M Ω at 500VDC between live part and non-current carrying metallic part	
Withstand Voltage	500V AC applied for 1min between live part and non-current carrying metallic part without breaking insulation	
Mass (Tolerance $\pm 10\%$)	1070g , Standard Bracket: 76g (Qty: 2 pc.)	
Outer Dimensions	Refer to the Outer Dimension Drawing	
Conformity Standards	UL 2108, CSA-C22.2 No. 250.0 EMC Directive (EN IEC 55015, EN 61000-6-2) RoHS Directive (EN IEC 63000)	

Remarks	<ul style="list-style-type: none"> • Conforms to the CE requirements • UL Listed (File No.E306141) • Specifications may change without notice due to continual product improvement. • Due to the inherent properties of the LED, color variations and hue may occur. • This product's illuminance may be affected when used in airtight conditions. <p>• Model Number Configuration</p> <div style="text-align: center;"> <p>CLK6S - 24AAG - CD</p> </div> <ul style="list-style-type: none"> ● Luminous Color CD : Daylight ● Main Unit Material AG : Body - Aluminum Alloy Lens - Tempered Glass ● Connector Specifications S : Side-exiting Cable
---------	-----------------------------------------------------------------------------------------------------------------------------------------------------------------------------------------------------------------------------------------------------------------------------------------------------------------------------------------------------------------------------------------------------------------------------------------------------------------------------------------------------------------------------------------------------------------------------------------------------------------------------------------------------------------------------------------------------------------------------------------------------------------

指定 公差 General Tolerance	角度公差 ±[°]			寸法公差 ±[mm]					図番 Drawing No. CLK6S-24AAG-W18	改訂 Rev.	年月日 Date	改訂履歴 Revisions			
	短辺 長さ Length of short side	~	~100	6	30	120	300	1000							
	精 f	1	0.5	0.3	0.1	中 m	0.1	0.3					0.5	0.7	1
	粗 v	3	1.5	1	0.5	粗 c	0.3	0.5					1	1.2	2

ページ Page 2 / 2		
--------------------------	--	--

Product sliding direction for attachment. (Note 1) →



Note

- Attachment of the product is done by sliding it into the Standard Bracket (Refer to figure on the right). It is also possible to rotate the Standard Bracket 180 degrees to slide it in the opposite direction.
- Attach the two standard brackets evenly for installation.
- An option bracket is also available.
Part Number: CLK-001,SZ-320KS
(Refer to the bracket specifications for details.)

5	Hex. Socket Bolt	2	M3×6 , Stainless
4	Standard Bracket	2	Stainless
3	Power Supply Cable	1	AWG22 / 2Wires
2	Glass (Lens)	1	Tempered Glass
1	Body	1	Aluminium Alloy
番号 No.	部品名 Part Name	数量 Qty.	記事 Remarks
機種 Model	CLK6S-24AAG-CD	特注No. S.P.No.	-
品目コード Part No.	-	図名 Name	Outer Dimensions Drawing
尺度 Scale	-	三角法 3rd Angle P.	単位 Unit mm
株式会社 パトライト PATLITE Corporation			

