

Drawing No.	Rev.	Page
SZK-101-W18	C	1/5

# SPECIFICATIONS

## [1.General Specifications]

Product Name	Wall Mount Bracket	Wall Mount Bracket Cover	
Model	SZK-101 /SZK-102 /SZK-103	SZK-104/SZK-105	
Mounting Direction	Upright		
Mass (Typ.)	SZK-101	0.15kg	
	SZK-102	0.19kg	
	SZK-103	0.51kg	
	SZK-104	0.06kg(Accessory Remove)	
	SZK-105	0.17kg(Accessory Remove)	
Protection Rating	SZK-101	IP65 (With product attachment)	SF08-M□KT□/SL08-M□KT□ SF10-M□KT□/SL10-M□KT□ LR10-□□WJ□W
		IP65 (when used with product and SZW-102 Rubber Gasket attachment)	SF08-M□JN/SL08-M□JN/SKS-M□J
		IP65 (when used with product and SZW-103 Rubber Gasket attachment)	SF10-M□JN/SL10-M□JN SKH-M□J□/SKH-M□T□
		IP23 ※ (With product attachment)	SF08-M□JN/SL08-M□JN SKS-M□J/SF10-M□JN/SL10-M□JN SKH-M□J□/SKH-M□T□
	SZK-102	IP23(With product attachment) ※	
	SZK-103	IP23(With product attachment)	
	SZK-104	IP23(When used with product and SZK-102 Wall Mount Bracket) ※	
	SZK-105	IP23(When used with product and SZK-103 Wall Mount Bracket)	
	Environmental Condition	Upright	
Remarks	There are no contents of controlled substances exceeding the threshold for the RoHS Directive. ※Excluding Terminal Block Opening of SKH-M□T□.		

## [2.Model Number Configuration]

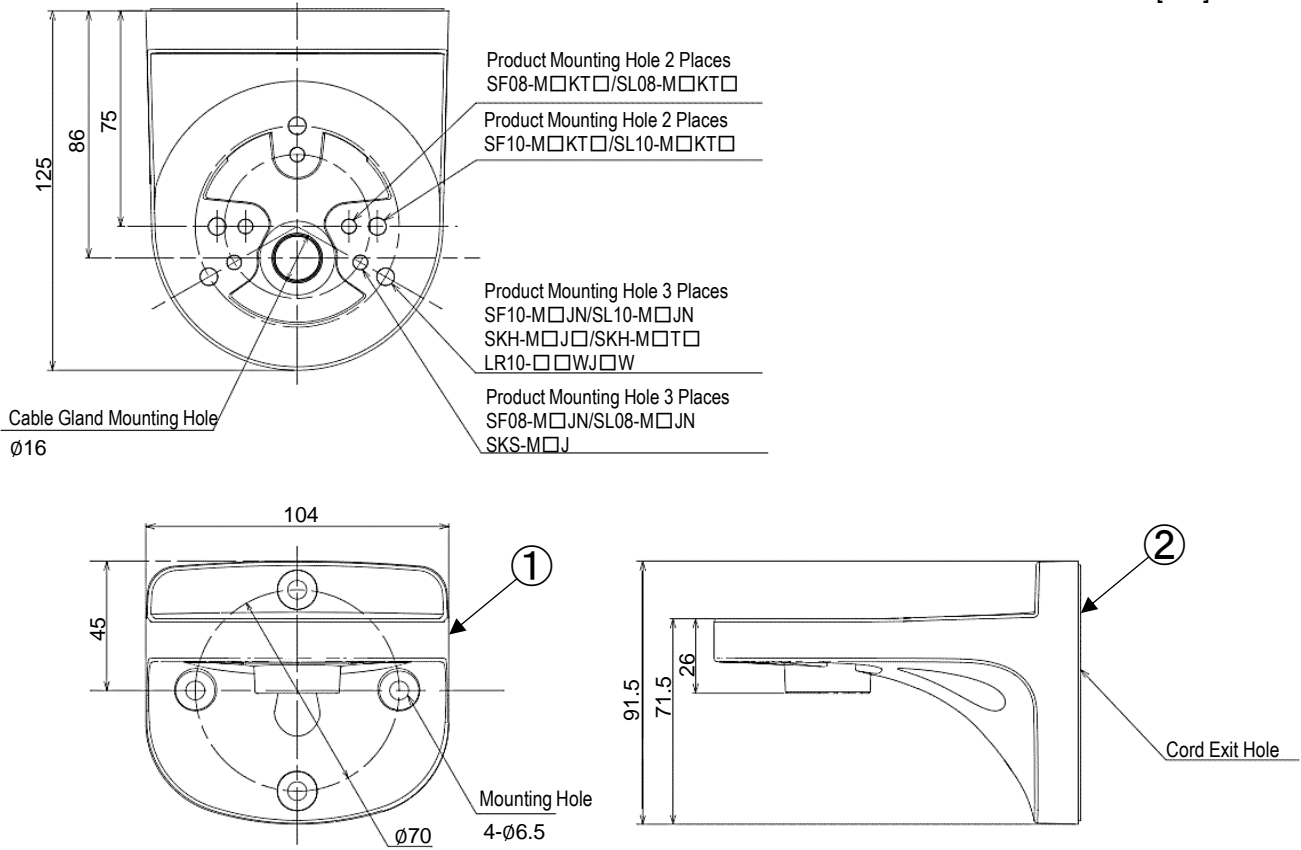
Wall Mount Bracket	Model		Applicable Models
	SZK	-	◇
Applicable Models			
101	SF08-M□KT□/SL08-M□KT□/SF10-M□KT□/SL10-M□KT□ SF08-M□JN/SL08-M□JN/SKS-M□J SF10-M□JN/SL10-M□JN/SKH-M□J□/SKH-M□T□ LR10-□□WJ□W		
102	SF08-M□KT□/SL08-M□KT□/SF10-M□KT□/SL10-M□KT□ SF08-M□JN/SL08-M□JN/SKS-M□J SF10-M□JN/SL10-M□JN/SKH-M□J□/SKH-M□T□ LR10-□□WJ□W/LR10-□□WM□W		
103	SL15-M□KTN/SL15-M□JN/SKP-M□J		
104	SZK-102 (Not compatible when used with LR10-□□WM□W and SZK-102)		
105	SZK-103		

Drawing No.	Rev.	Page
SZK-101-W18	C	2/5

[3.Outer Dimension Drawing]

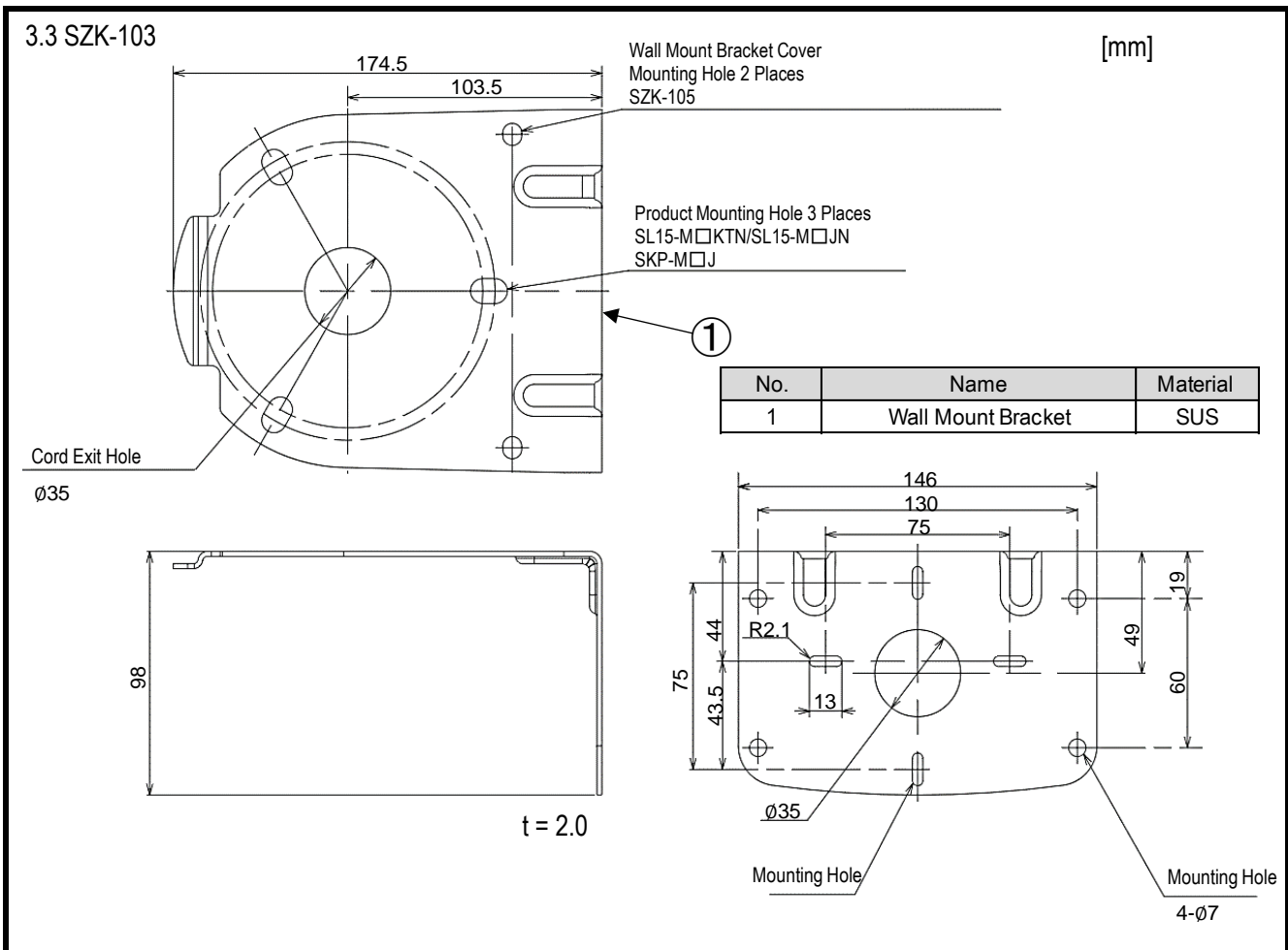
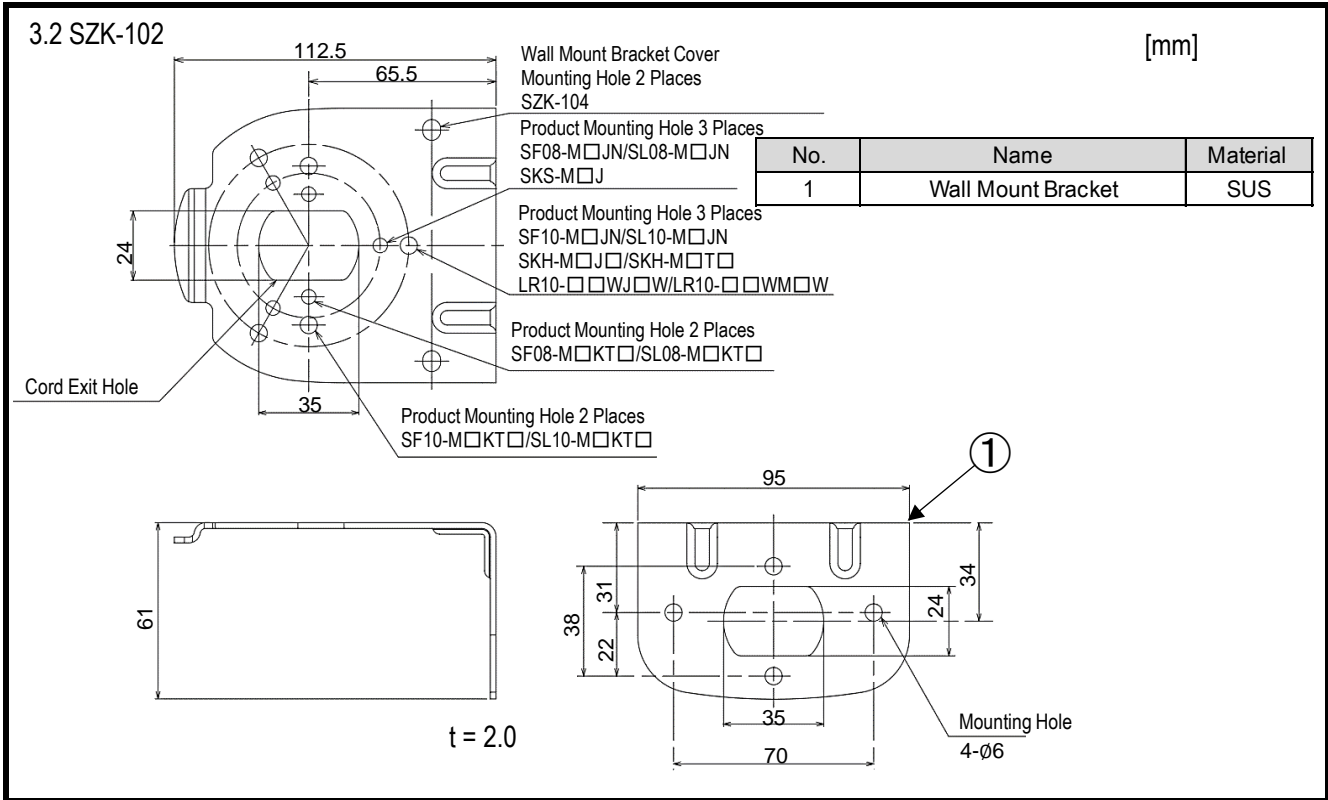
3.1 SZK-101

[mm]



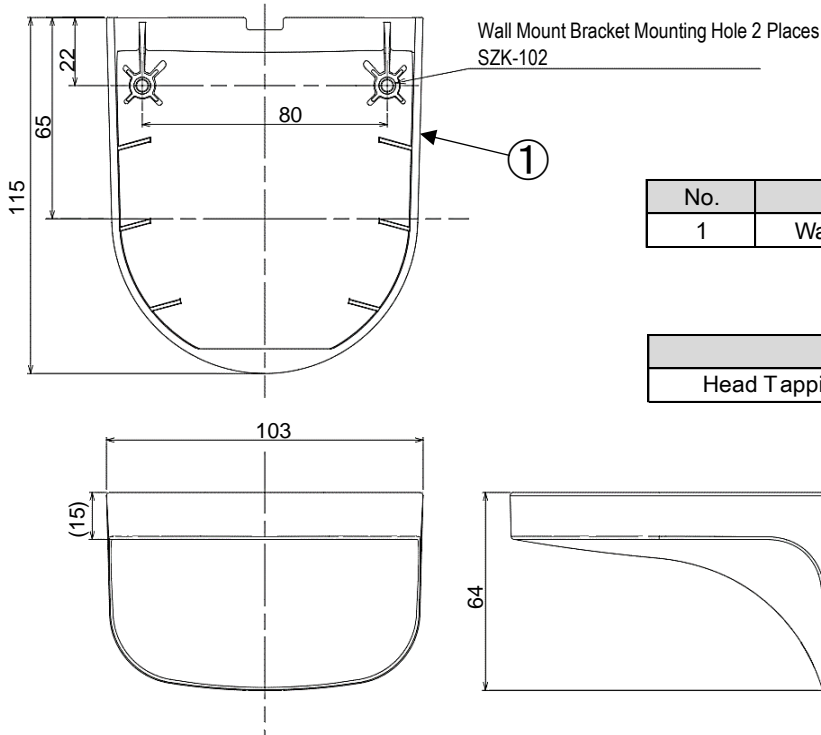
※ The Product Mounting Holes and Cable Gland Mounting Holes are perforated.

No.	Name	Material
1	Wall Mount Bracket	PC
2	Waterproof Sheet t = 1.0	CR



### 3.4 SZK-104

[mm]

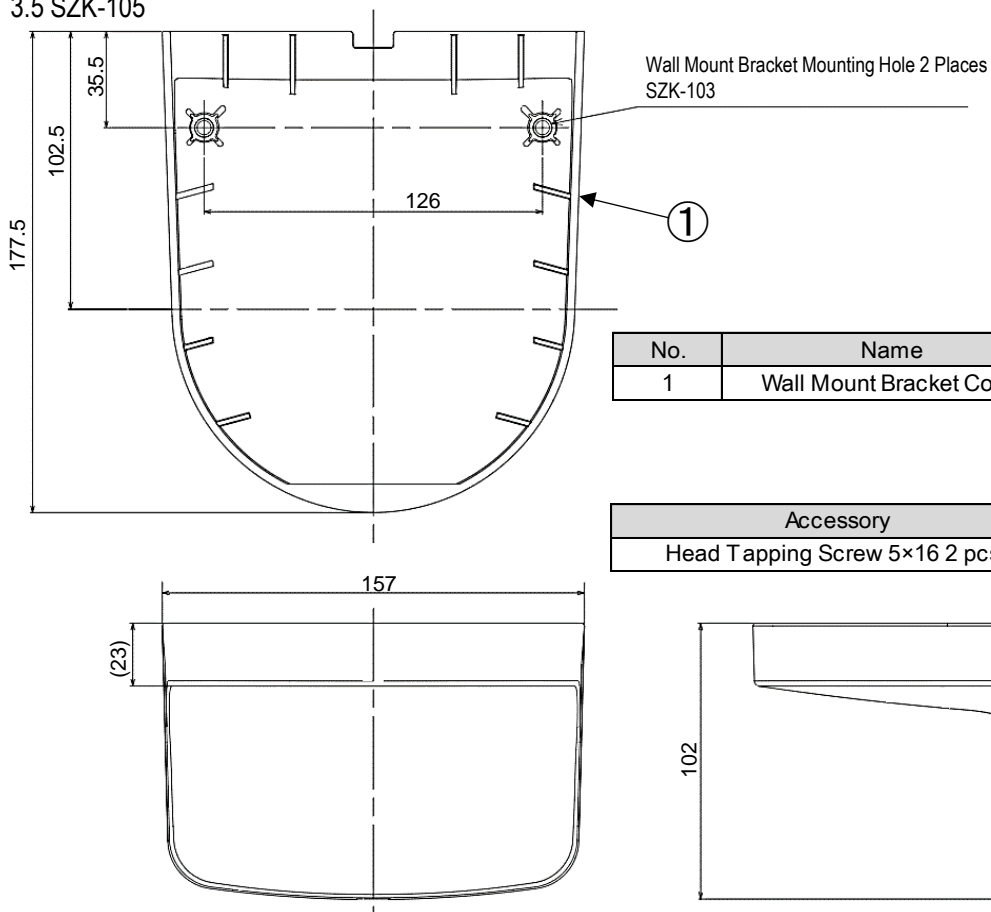


No.	Name	Material
1	Wall Mount Bracket Cover	PC

Accessory	Material
Head Tapping Screw 4×12 2 pcs.	SUS

### 3.5 SZK-105

[mm]



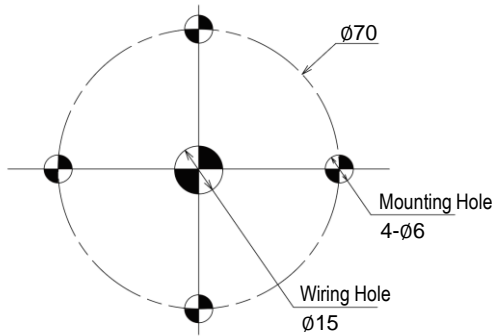
No.	Name	Material
1	Wall Mount Bracket Cover	PC

Accessory	Material
Head Tapping Screw 5×16 2 pcs.	SUS

[4.Mounting Dimensional Drawing]

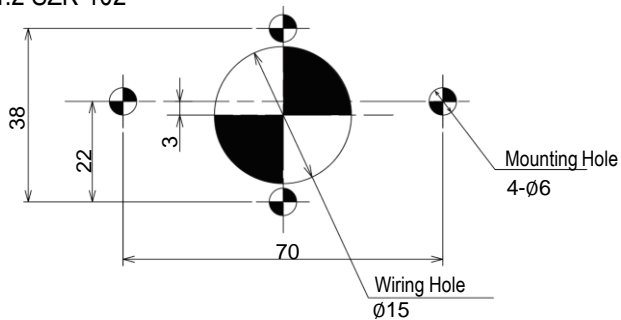
4.1 SZK-101

[mm]



Screw/Nut	Recommended Tightening Torque
M5	1.4N·m

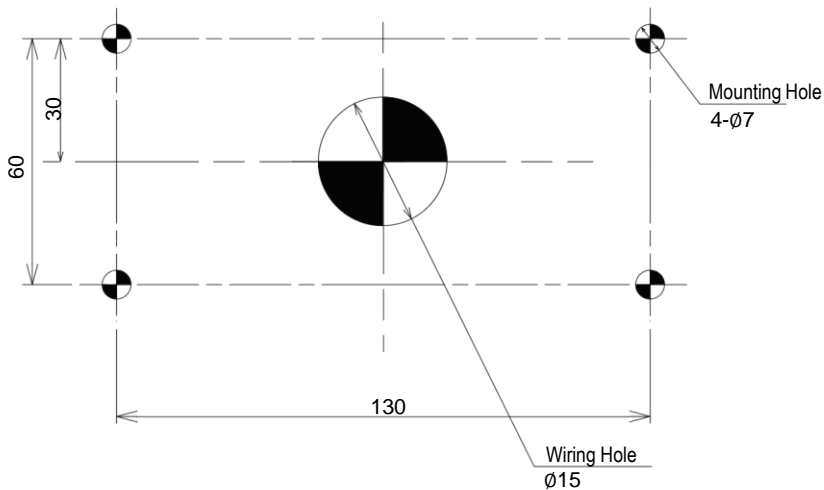
4.2 SZK-102



Screw/Nut	Recommended Tightening Torque
M5	1.4N·m

•When installing LR10-□□WM□W, do not pass the M12 cable through the wiring hole.  
There is a risk of the cable being broken.

4.3 SZK-103



Screw/Nut	Recommended Tightening Torque
M6	2.4N·m